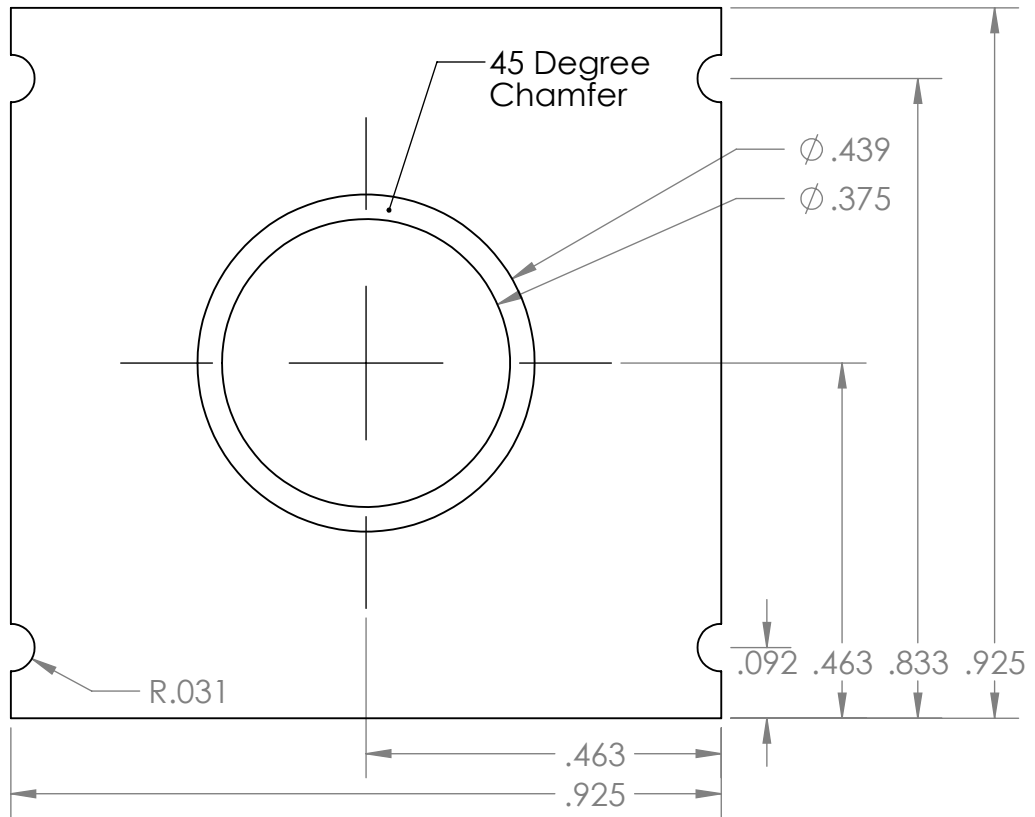
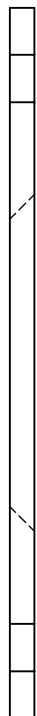


2

1

B

B



A

A

SIZE	DWG. NO.	REV
A	sps_fsu_tgt_frame	
SCALE: 4:1	WEIGHT:	SHEET 1 OF 1

2

1