

2

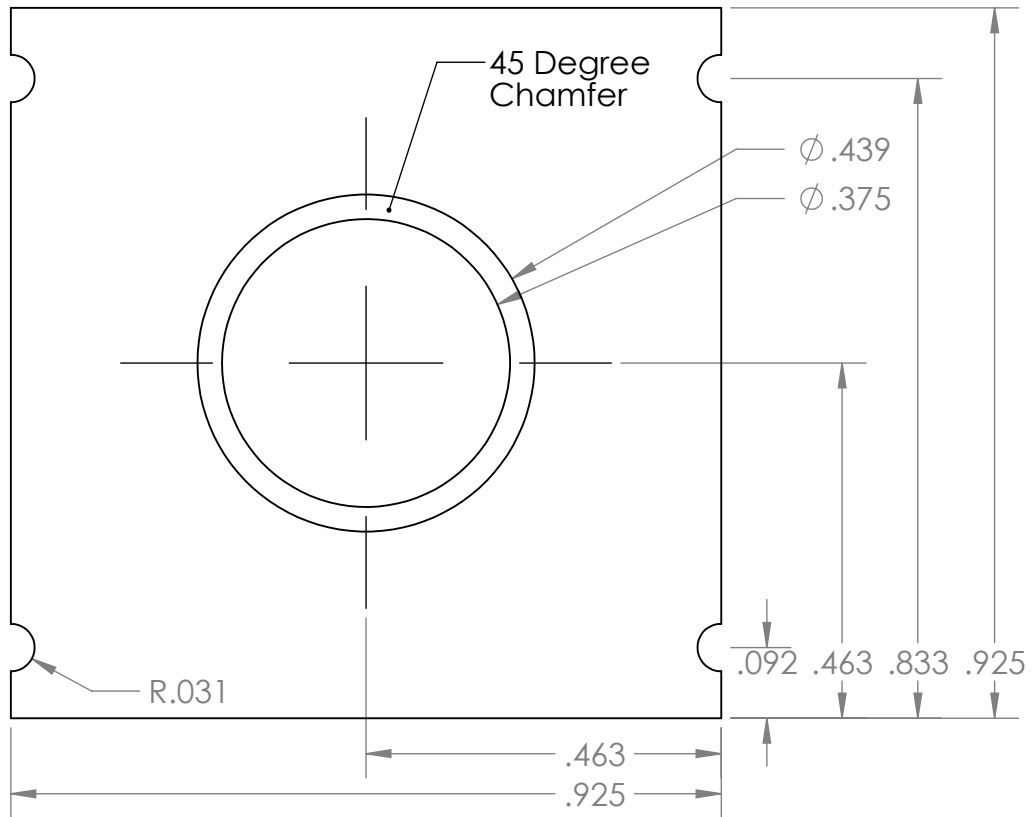
1

B

B

A

A



Material: .020" Aluminum

SIZE	DWG. NO.	REV
A	sps_fsu_tgt_frame	
SCALE: 4:1	WEIGHT:	SHEET 1 OF 1

2

1